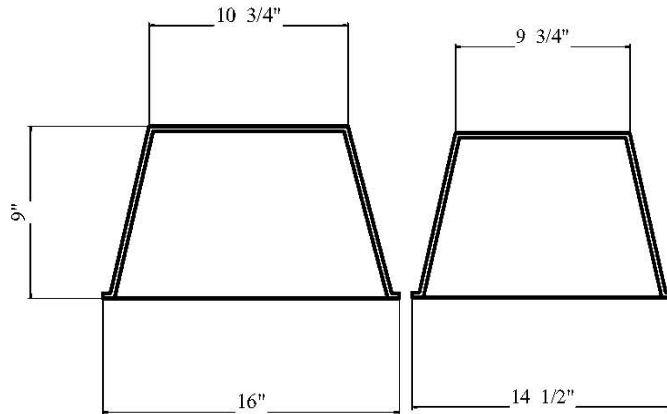


### Technical Product Specification



Model Number	Inside Height	Inside Length	Inside Width
FF130E	9"	15 "	14"

### Performance Data

#### For Use:

- Regular Recessed Lights
- Insulated Ceilings
- Attic Spaces
- Ceiling Spaces
- Roof/Ceiling

### General Information

#### Benefits:

- Fire resistant.
- Can be covered with sprayed foam insulation, blown-in insulation and lay-in insulation.
- Keeps insulation away from hot light can.
- Reduces heat loss through the fixture.
- Added flange for improved draftstopping capabilities.
- Lightweight (approx. 1 lb.).
- Easy Installation - can be fitted in seconds - no screws or drilling required.
- Enhances the acoustic protection of the ceiling.
- Prevents insects and other small animals from entering through the light.
- Fits most popular recessed light fixtures.
- Maintenance free.



The Tenmat FF130E Recessed Light Cover has been specifically designed to keep insulation away from recessed lights in attics and roof/ceiling designs.

The cover is made out of fire resistant mineral wool material and maintains sufficient space around the fixture for proper functionality when surrounded by insulation.

The durable and lightweight covers will significantly reduce thermal loss through the light and condensation on roof timbers.

