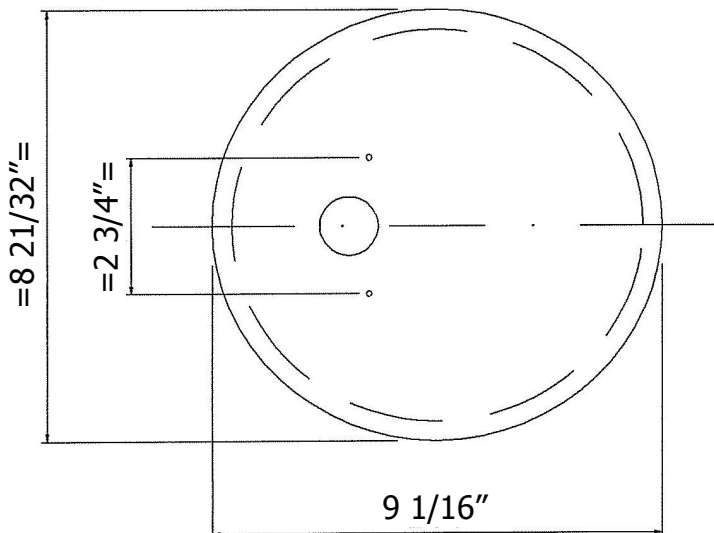
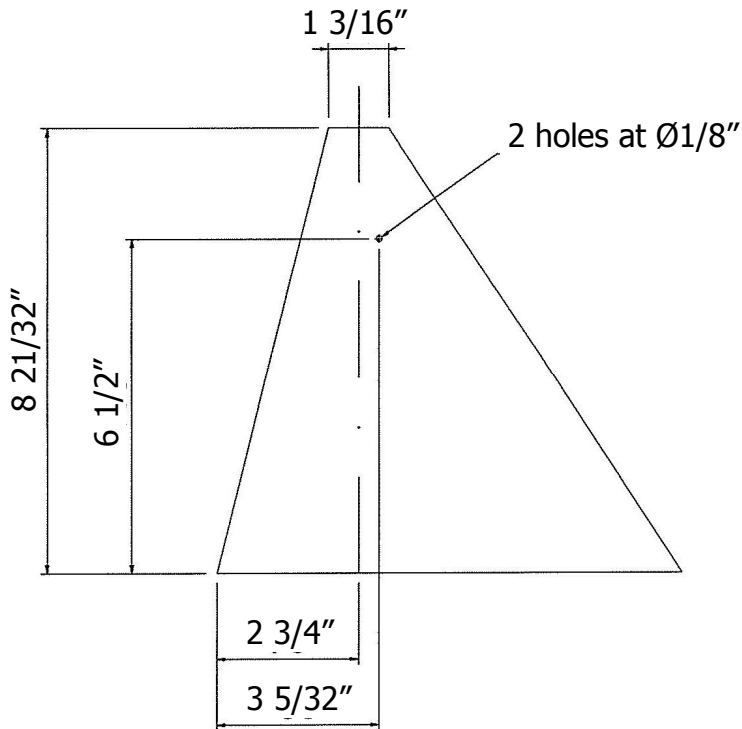


**MODEL FF130R LED Downlight Cover**


Use 8" downlighter steel wire.  
All measurements nominal.

Model Number	Inside Height	Inside Length	Inside Width
FF130R	8"	8 1/4"	8"

**Performance Data**
**For Use:**

- Can be used with a range of low profile LED recessed lights up to a fixture height of 4".
- Prevents insulation from coming in contact with recessed light fixtures.
- Compatible with sprayed foam insulation, low density foam, blown-in insulation and lay-in insulation.
- Suitable for attic spaces, ceiling spaces, insulated ceilings, and drop ceilings.

**General Information**
**Benefits:**

- Fire Resistant.
- Energy Saving.
- Ultra flexible (Ideal for retrofitting applications).
- Lightweight (approx. 7 oz.).
- Reduces draft problems.
- Prevents heat loss through the fixture.
- Reduces airflow from the outside.
- Enhances the acoustic protection of the ceiling.
- Prevents insects and other small animals from entering through the light.
- Easy to fit without special tools.
- Maintenance free.

**Manufactured By**
**Tenmat Ltd**

23 Copper Drive  
Newport, DE 19804  
Phone: (302) 633-6600  
Fax: (302) 633-6838  
Email: [info@tenmatusa.com](mailto:info@tenmatusa.com)  
[www.recessedlightcover.com](http://www.recessedlightcover.com)