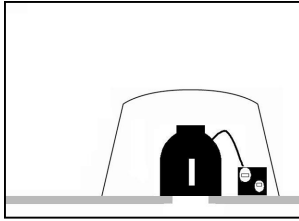


MODEL FF135 RECESSED LIGHT COVER

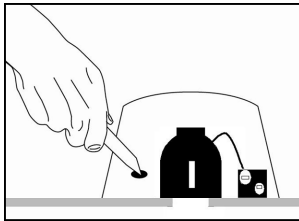
Step 1

Place TENMAT FF135 cover over the fixture. For optimal performance make sure that the flange of the cover is in contact with the drywall.



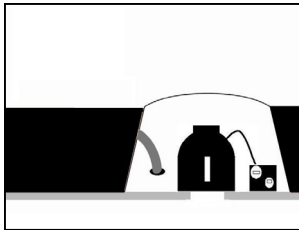
Step 2

If necessary, slit the cover to fit over the hanger bars and the wiring of the fixture.



Step 3

The TENMAT FF135 Recessed Light Cover is compatible with all kind of insulation, including sprayed foam, mineral wool, fiber glass and blown-in cellulose.



NOTE: FOR APPLICATIONS IN FIRE RATED CEILINGS (1 & 2 HR) USE TENMAT FF109 COVERS.

WARNING: BE SURE THE ELECTRICITY TO THE SYSTEM YOU ARE WORKING ON IS TURNED OFF; EITHER THE FUSE REMOVED OR THE CIRCUIT BREAKER SET AT OFF.

CONTAINS STONE WOOL INSULATION

Stone fibers may cause temporary mechanical irritation to the skin, throat, nose and eyes.

FIRST AID

Skin

If irritation occurs, do not rub or scratch. Rinse under running water prior to washing with mild soap and water. Consult a physician if irritation persists.

Throat and Eyes

If irritation occurs, flush eyes with water and/or drink water to clear throat. Do not rub the eyes. Consult a physician if irritation persists.

PRECAUTIONS

- Wear long sleeve, loose fitting clothing, gloves and eye protection.
- For additional information, refer to the Material Safety Data Sheet (MSDS).

Model Number

FF135

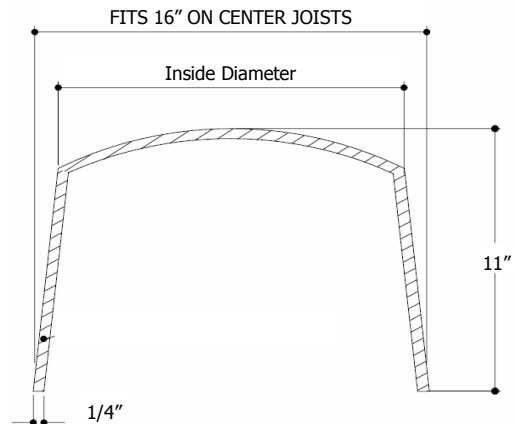
Inside Height

10 3/4"

Inside Diameter

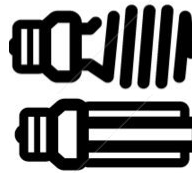
16 1/2"

FF135 RECESSED LIGHT COVER

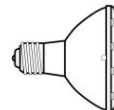


MAXIMUM LAMP WATTAGE AND TYPE

USE WITH LAMP TYPES AND WATTAGE AS RECOMMENDED BY THE LIGHT MANUFACTURER OR TENMAT, WHICHEVER IS LOWER, IN ORDER TO AVOID THERMAL OVERLOAD.



Compact Fluorescent Lamps 120V
13W
18W
26W
32W



Directional Lamps
65W, BR 30
90W PAR38



LED Lamps 120V
18W PAR38



Do not use with energy inefficient light bulbs!



WARNING - USE WITH LAMP TYPES & WATTAGES AS INDICATED ABOVE.

FOLLOW THE LIGHT MANUFACTURER'S RECOMMENDATIONS FOR INSTALLATION WITHIN ENCLOSED SPACES. NOTICE - FOR USE WITH THERMALLY PROTECTED FIXTURE ONLY. BLINKING LIGHT MAY INDICATE IMPROPER LAMP SIZE.

Manufactured By

Tenmat Ltd

23 Copper Drive

Newport, DE 19804

Phone: (302) 633-6600

Fax: (302) 633-6838

Email: info@tenmatusa.com

www.recessedlightcover.com