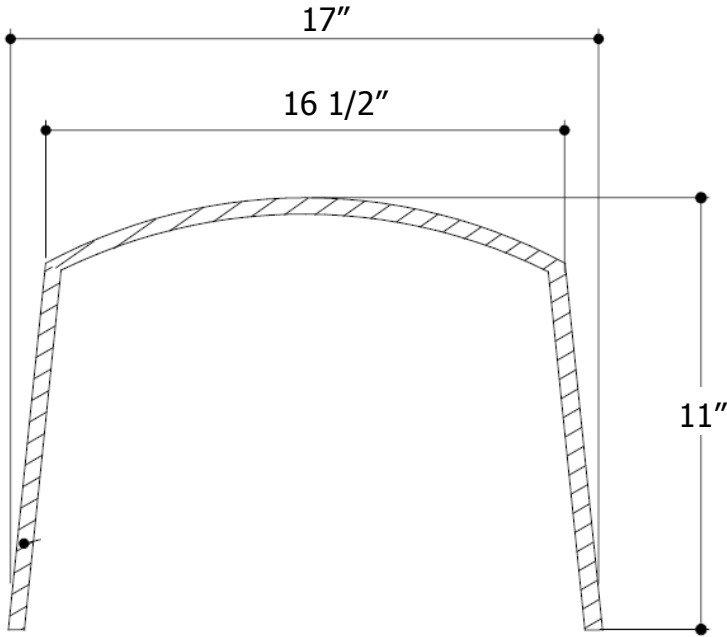
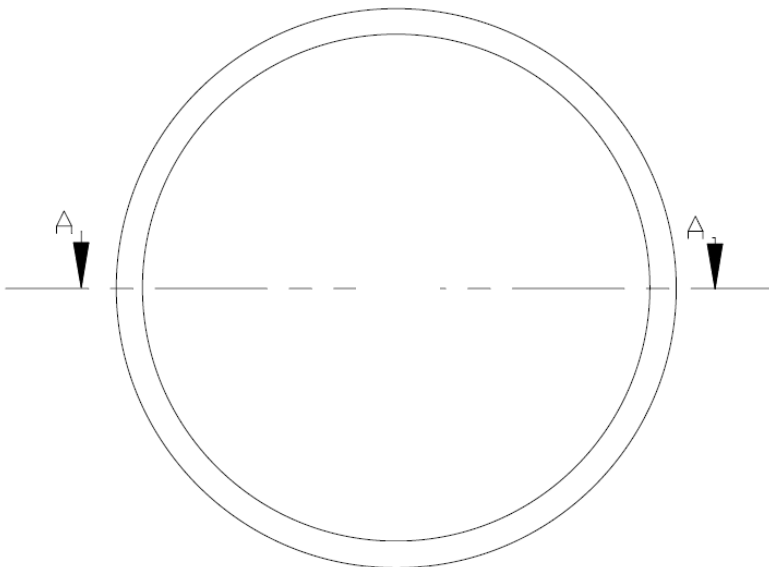


MODEL FF135 Draft Stop Cover


FLEXIBLE TO FIT 16" ON CENTER JOISTS



Model Number	Inside Height	Inside Diameter
FF135	10 3/4"	16 1/2"

Performance Data
For Use:

- Prevents insulation from coming in contact with recessed light fixtures.
- Can be used in conjunction with wide range of recessed lights.
- Compatible with sprayed foam insulation, low density foam, blown-in insulation and lay-in insulation.
- Suitable for attic spaces, ceiling spaces, insulated ceilings, and drop ceilings.

General Information
Benefits:

- Energy Saving.
- Reduces draft problems.
- Limits heat loss through the fixture.
- Reduces airflow from the outside.
- Easy to fit without special tools.
- Lightweight (approx. 2 lbs.).
- Enhances the acoustic protection of the ceiling.
- Prevents insects and other small animals from entering through the light.
- Flexible to fit 16" on center joists
- Maintenance free.

Manufactured By
Tenmat Ltd

23 Copper Drive
 Newport, DE 19804
 Phone: (302) 633-6600
 Fax: (302) 633-6838
 Email: info@tenmatusa.com
 www.recessedlightcover.com